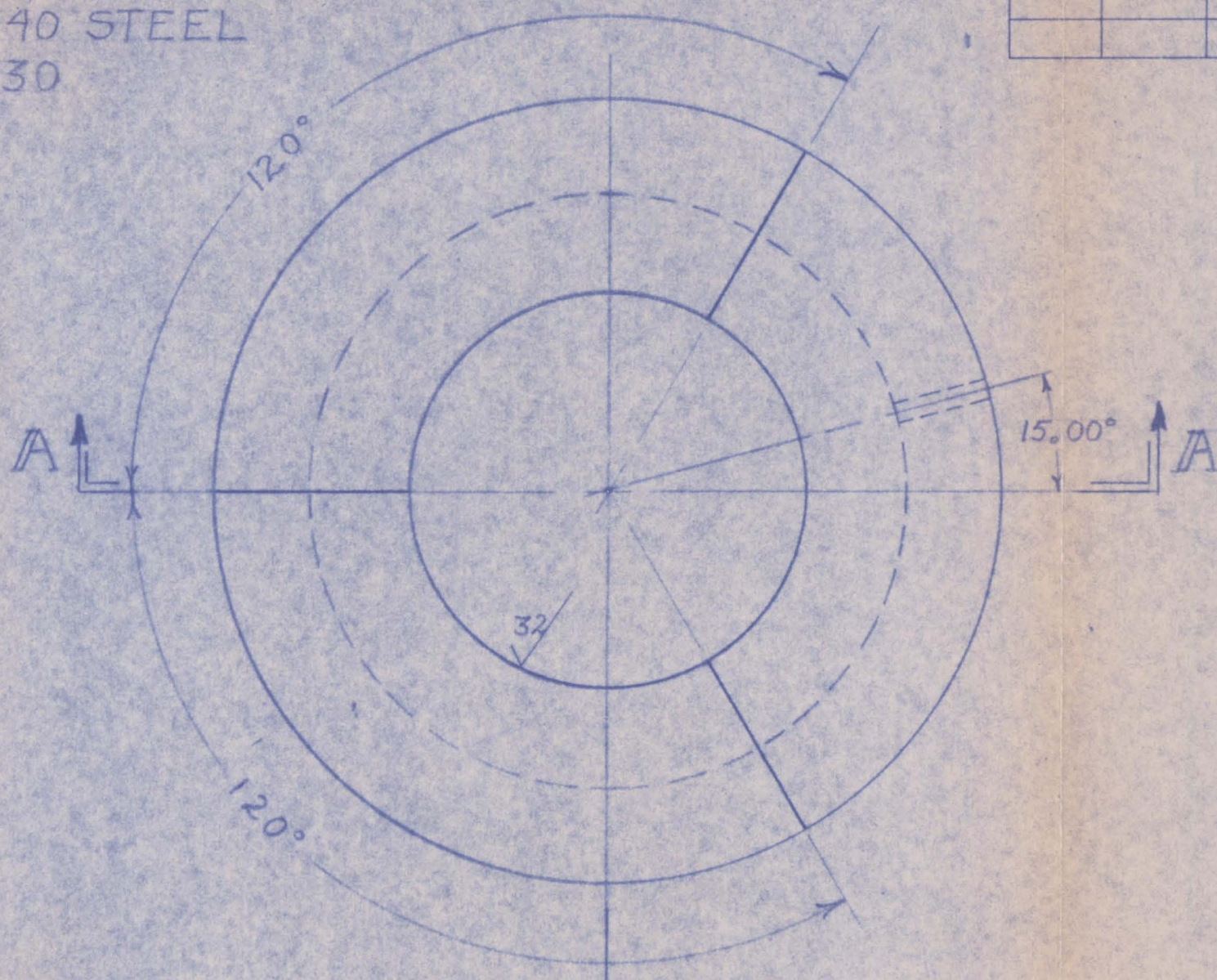


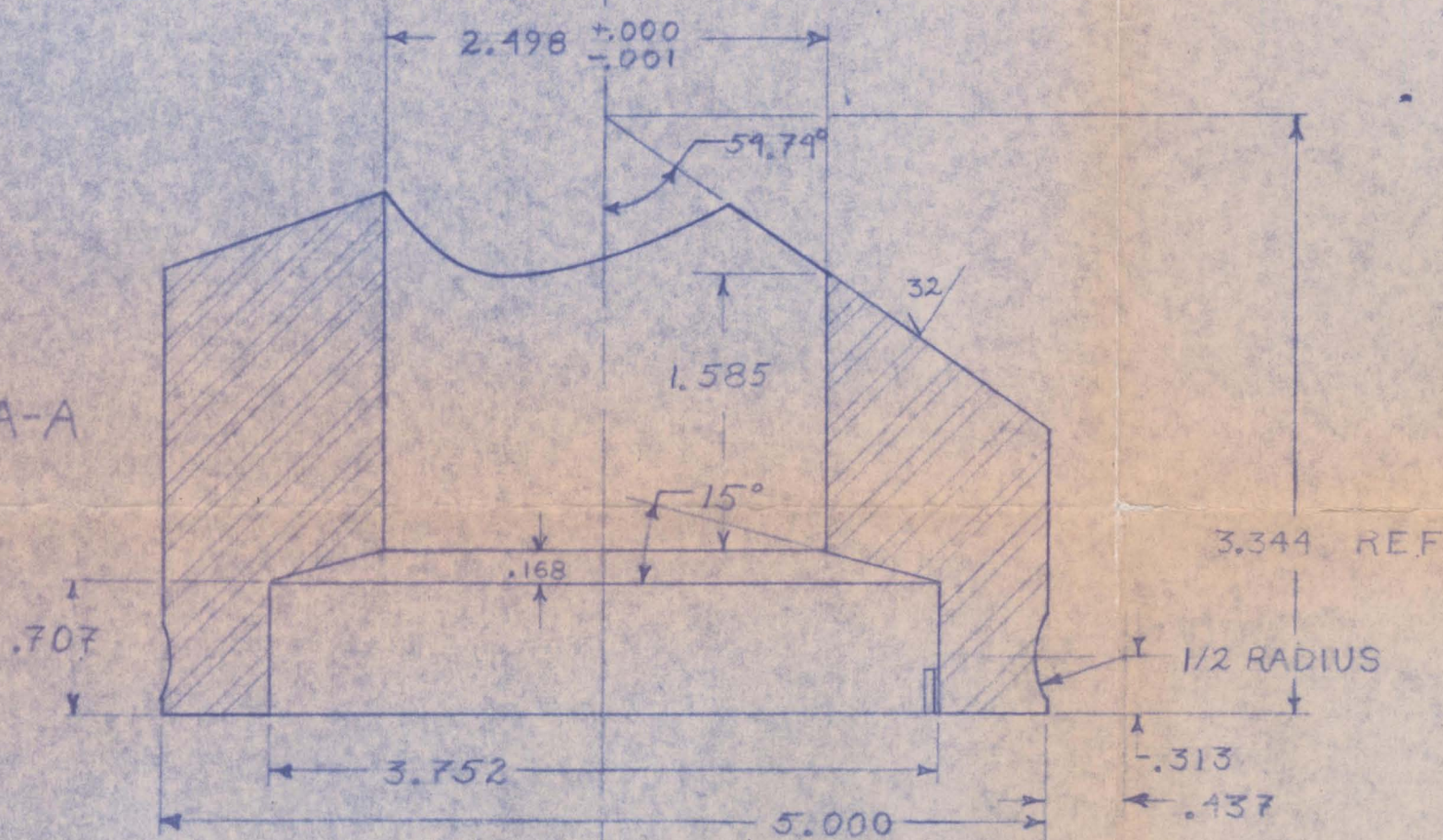
BINDING RING

2B

MATERIAL - 4340 STEEL
MIN RC30



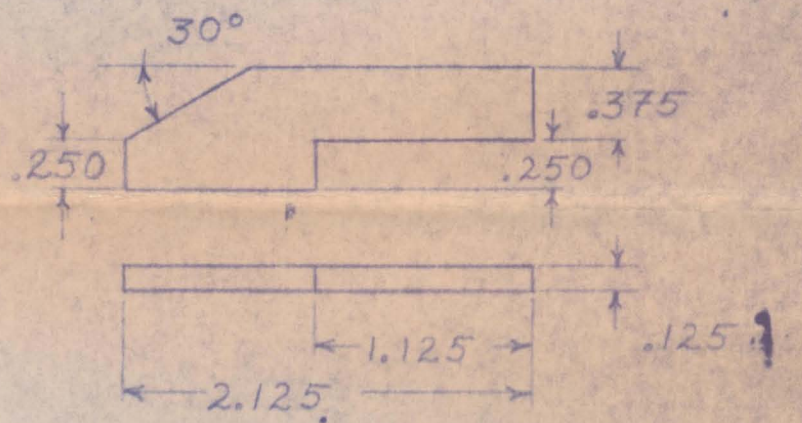
SECTION A-A



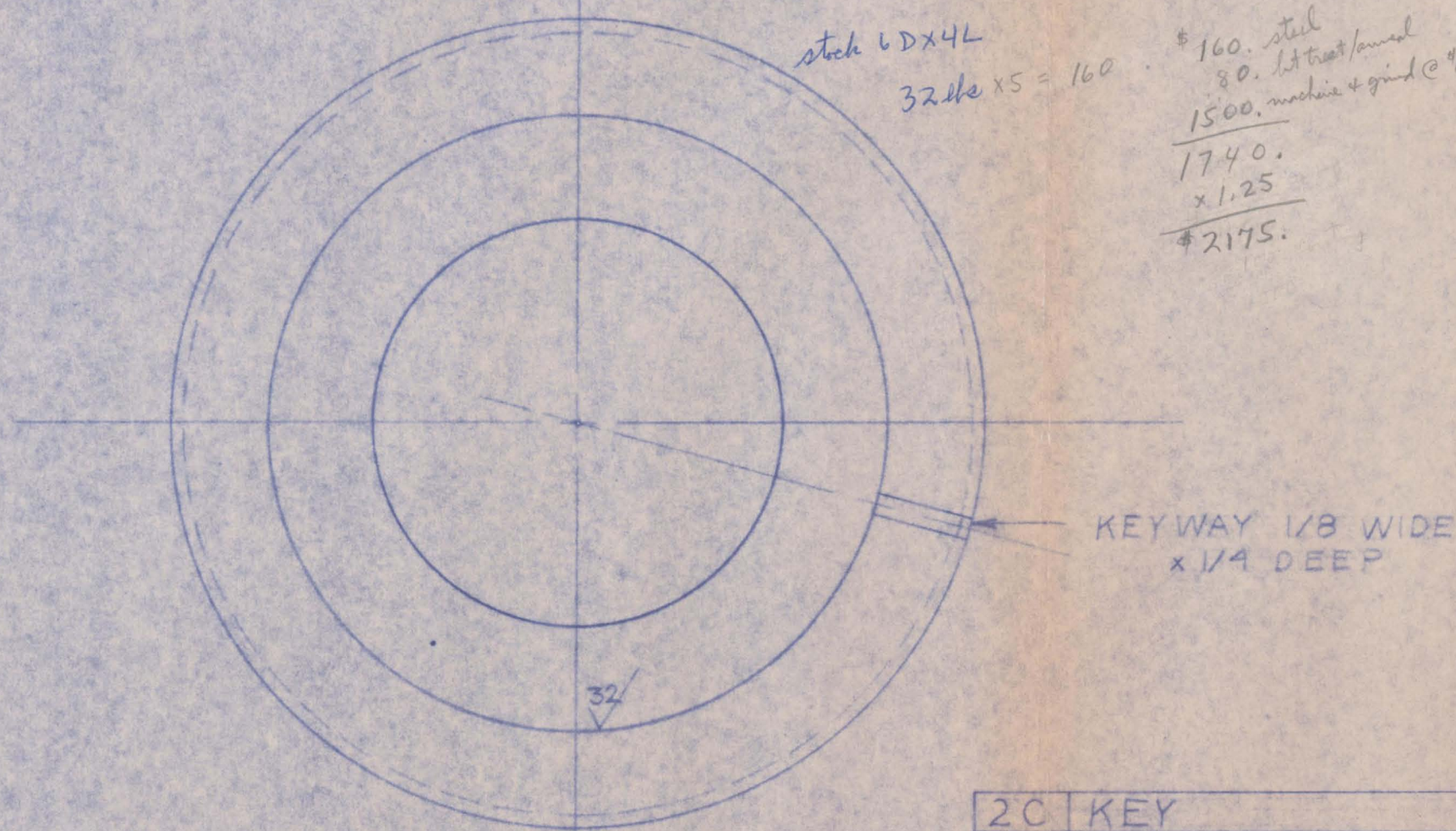
KEY

2C

MATERIAL - FBE BAKELITE



KEY WIDTH TO PROVIDE CLOSE SLIDING FIT WITH KEYWAYS IN PARTS 1, 2A, 2B, AND 3.



stock 25.
mach 109. @ 12/hr
125.
x 1.25
157.

40002797

DETAIL NO.	DESCRIPTION	MATERIAL SPECIFICATIONS	NO. REQ'D
2C	KEY	FBE BAKELITE	8
2B	BINDING RING (2 1/2 INCH ANVIL)	4340 Steel	5
2A	INSULATED BACK-UP MOUNT	4340 Steel	4

LIST OF MATERIAL					NAVAL RESEARCH LABORATORY	
SIGNATURES	DATE	BLDG.	ROOM	PHONE	WASHINGTON, D. C. 20390	
DESIGNED: WAW	50 Oct	60	119	73014	Solid State DIVISION	
DRAWN: WAW	15 Oct				SECURITY CLASSIFICATION	
APPROVED:		ANVIL GUIDE PARTS			UNC	
TOLERANCES UNLESS OTHERWISE SPECIFIED					SCALE: FULL	ASSEMBLY DRAWING NO.
DECIMAL DIMENSIONS = ± .005						DRAWING NO. 2
FRACTIONAL DIMENSIONS = ± 1/4						SHEET OF
ANGLE DIMENSIONS = ± 2°						